

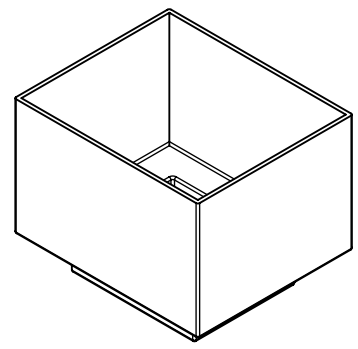
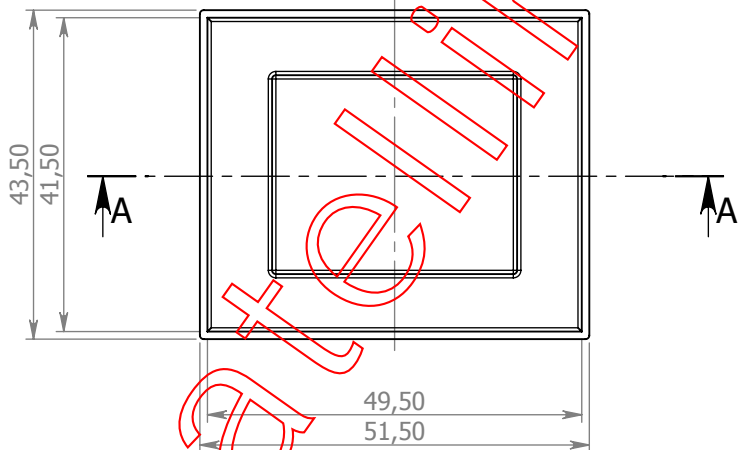
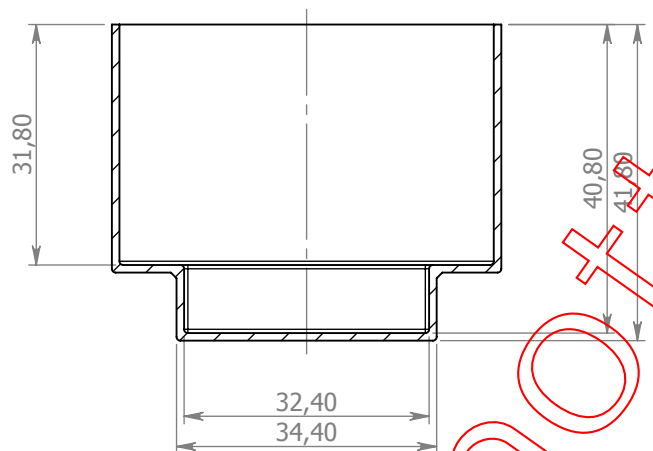
A

B


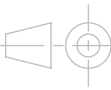
C

D

E



www.fratellimotta.it

		Via 4 Novembre, 44 20050 Ronco Briantino -MI- Tel. 039 6079022 Fax. 039 6079705		MODIFICHE:																															
				<table border="1" style="width: 100%; border-collapse: collapse;"> <thead> <tr> <th style="width: 10%;">REV.</th> <th style="width: 10%;">DATA</th> <th style="width: 10%;">APPR.</th> <th style="width: 70%;">DESCRIZIONE</th> </tr> </thead> <tbody> <tr><td> </td><td> </td><td> </td><td> </td></tr> <tr><td> </td><td> </td><td> </td><td> </td></tr> <tr><td> </td><td> </td><td> </td><td> </td></tr> </tbody> </table>		REV.	DATA	APPR.	DESCRIZIONE																										
REV.	DATA	APPR.	DESCRIZIONE																																
<table border="1" style="width: 100%; border-collapse: collapse;"> <thead> <tr> <th style="width: 15%;">NAME</th> <th style="width: 25%;">SIGNATURE</th> <th style="width: 15%;">DATE</th> <th style="width: 15%;"> </th> <th style="width: 15%;"> </th> <th style="width: 15%;"> </th> </tr> </thead> <tbody> <tr> <td>DIS. Motta A.</td> <td> </td> <td>20/05/09</td> <td> </td> <td> </td> <td> </td> </tr> <tr> <td>CONTR. Motta A.</td> <td> </td> <td>20/05/09</td> <td> </td> <td> </td> <td> </td> </tr> <tr> <td>APPR. Motta A.</td> <td> </td> <td>20/05/09</td> <td> </td> <td> </td> <td> </td> </tr> <tr> <td>MOD. Motta A.</td> <td> </td> <td> </td> <td> </td> <td> </td> <td> </td> </tr> </tbody> </table>		NAME	SIGNATURE	DATE				DIS. Motta A.		20/05/09				CONTR. Motta A.		20/05/09				APPR. Motta A.		20/05/09				MOD. Motta A.						CODICE:			
NAME	SIGNATURE	DATE																																	
DIS. Motta A.		20/05/09																																	
CONTR. Motta A.		20/05/09																																	
APPR. Motta A.		20/05/09																																	
MOD. Motta A.																																			
Disegno di proprietà di F.lli MOTTA s.r.l. sono vietati tutti gli utilizzi se non accompagnati da autorizzazione scritta.		MATERIALE: PBT G30 V0 MATERIALE PINS:		<table border="1" style="width: 100%; border-collapse: collapse;"> <tr> <td colspan="2" style="text-align: center;"><b>Contenitore per CT 56</b></td> </tr> <tr> <td style="text-align: center;"><b>Per lamierino EI48/20</b></td> <td style="text-align: center;">A4</td> </tr> </table>		<b>Contenitore per CT 56</b>		<b>Per lamierino EI48/20</b>	A4																										
<b>Contenitore per CT 56</b>																																			
<b>Per lamierino EI48/20</b>	A4																																		
PESO:		SCALA: 1:1																																	