

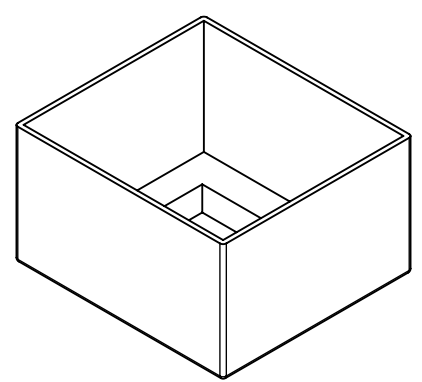
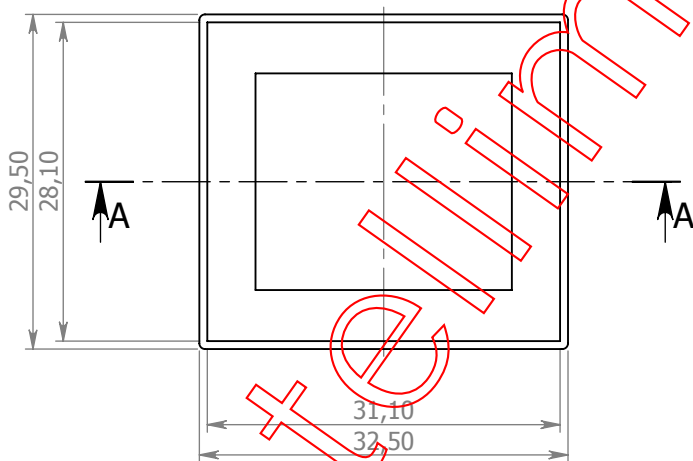
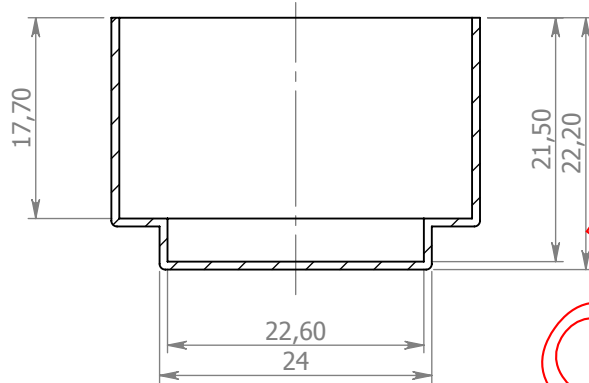
A

B


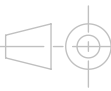
C

D

E



www.fratellimotta.it

		Via 4 Novembre, 44 20050 Ronco Briantino -MI- Tel. 039 6079022 Fax. 039 6079705		MODIFICHE:																															
				<table border="1" style="width: 100%; border-collapse: collapse;"> <thead> <tr> <th style="width: 10%;">REV.</th> <th style="width: 10%;">DATA</th> <th style="width: 10%;">APPR.</th> <th style="width: 70%;">DESCRIZIONE</th> </tr> </thead> <tbody> <tr><td> </td><td> </td><td> </td><td> </td></tr> <tr><td> </td><td> </td><td> </td><td> </td></tr> <tr><td> </td><td> </td><td> </td><td> </td></tr> </tbody> </table>		REV.	DATA	APPR.	DESCRIZIONE																										
REV.	DATA	APPR.	DESCRIZIONE																																
<table border="1" style="width: 100%; border-collapse: collapse;"> <thead> <tr> <th style="width: 15%;">NAME</th> <th style="width: 25%;">SIGNATURE</th> <th style="width: 15%;">DATE</th> <th style="width: 15%;"> </th> <th style="width: 15%;"> </th> <th style="width: 15%;"> </th> </tr> </thead> <tbody> <tr> <td>DIS. Motta A.</td> <td> </td> <td>20/05/09</td> <td> </td> <td> </td> <td> </td> </tr> <tr> <td>CONTR. Motta A.</td> <td> </td> <td>20/05/09</td> <td> </td> <td> </td> <td> </td> </tr> <tr> <td>APPR. Motta A.</td> <td> </td> <td>20/05/09</td> <td> </td> <td> </td> <td> </td> </tr> <tr> <td>MOD. Motta A.</td> <td> </td> <td> </td> <td> </td> <td> </td> <td> </td> </tr> </tbody> </table>		NAME	SIGNATURE	DATE				DIS. Motta A.		20/05/09				CONTR. Motta A.		20/05/09				APPR. Motta A.		20/05/09				MOD. Motta A.						CODICE:  <h2 style="text-align: center;">Contenitore per CT42</h2>			
NAME	SIGNATURE	DATE																																	
DIS. Motta A.		20/05/09																																	
CONTR. Motta A.		20/05/09																																	
APPR. Motta A.		20/05/09																																	
MOD. Motta A.																																			
Disegno di proprietà di F.Ili MOTTA s.r.l. sono vietati tutti gli utilizzi se non accompagnati da autorizzazione scritta.		MATERIALE: PBT G30 V0		DIS. <b>Per lamierino EI30/10</b>																															
		MATERIALE PINS:		REV. <b>A4</b>																															
				PESO:                      SCALA: 2:1																															